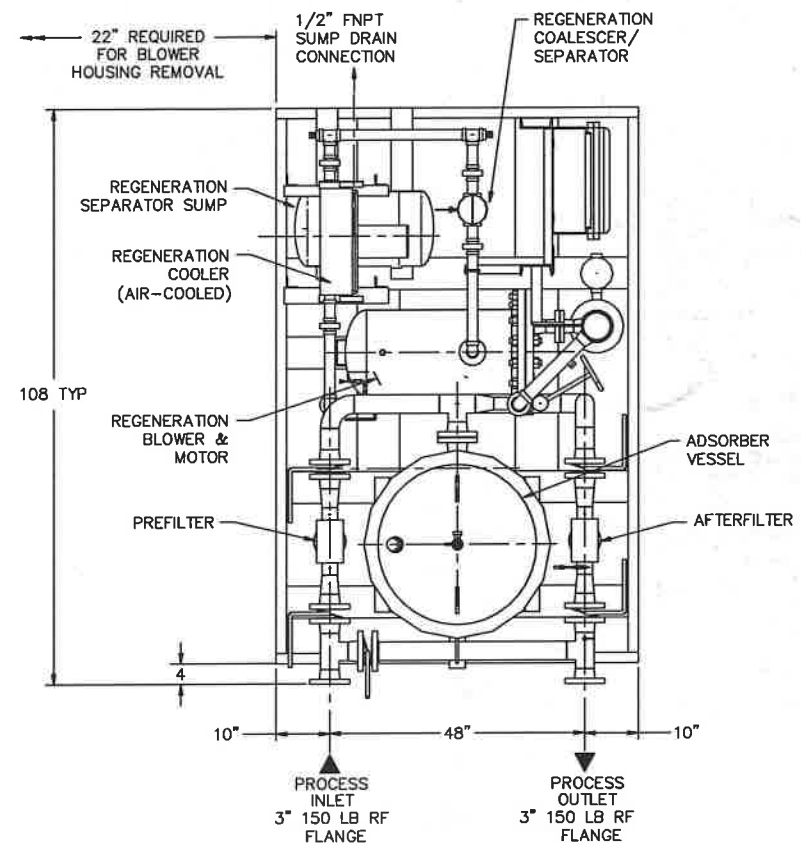
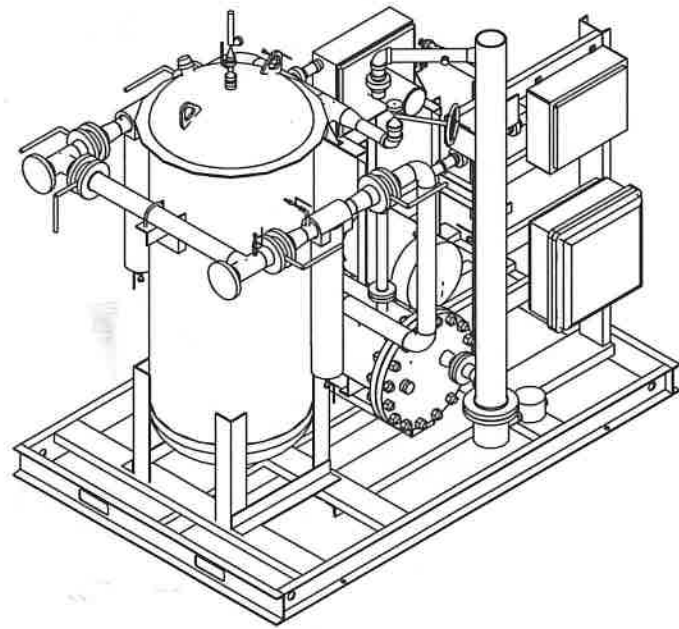
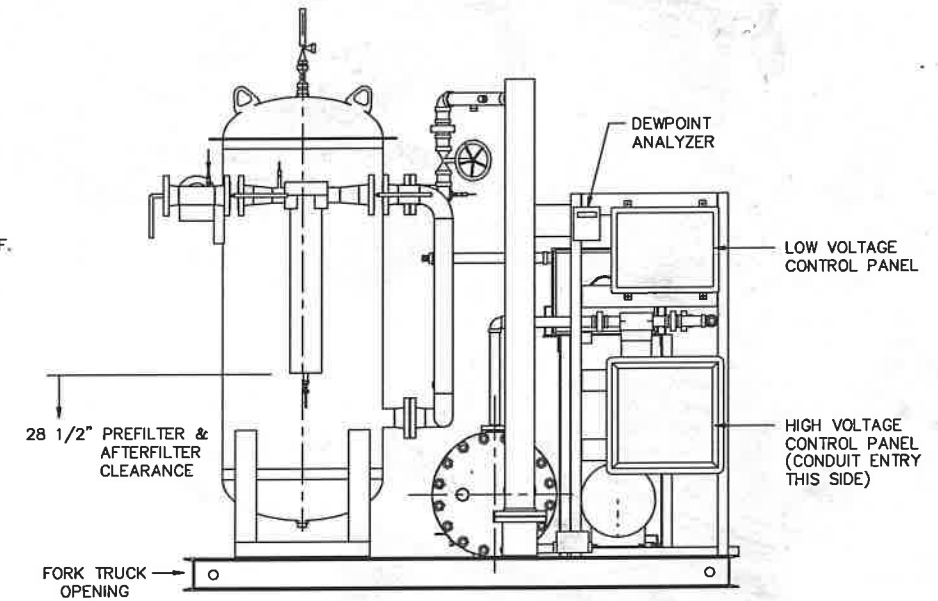
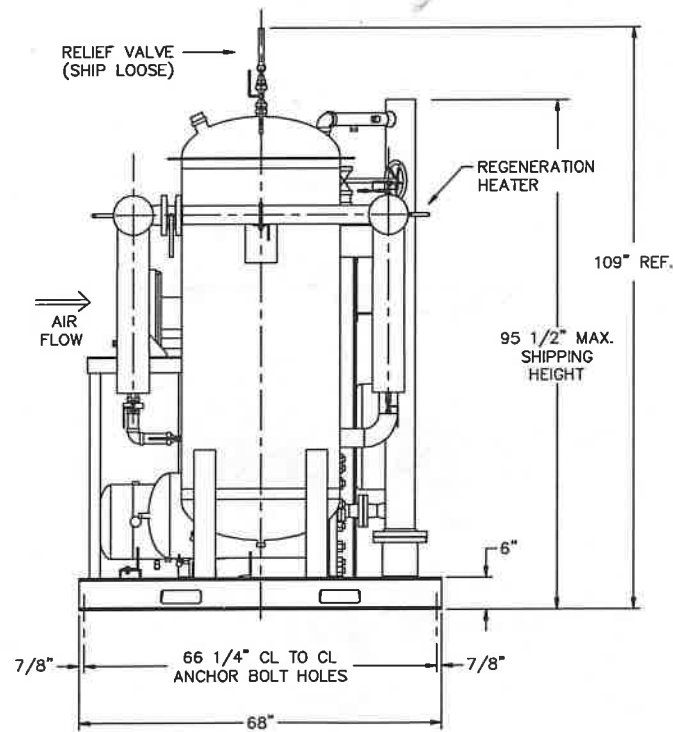
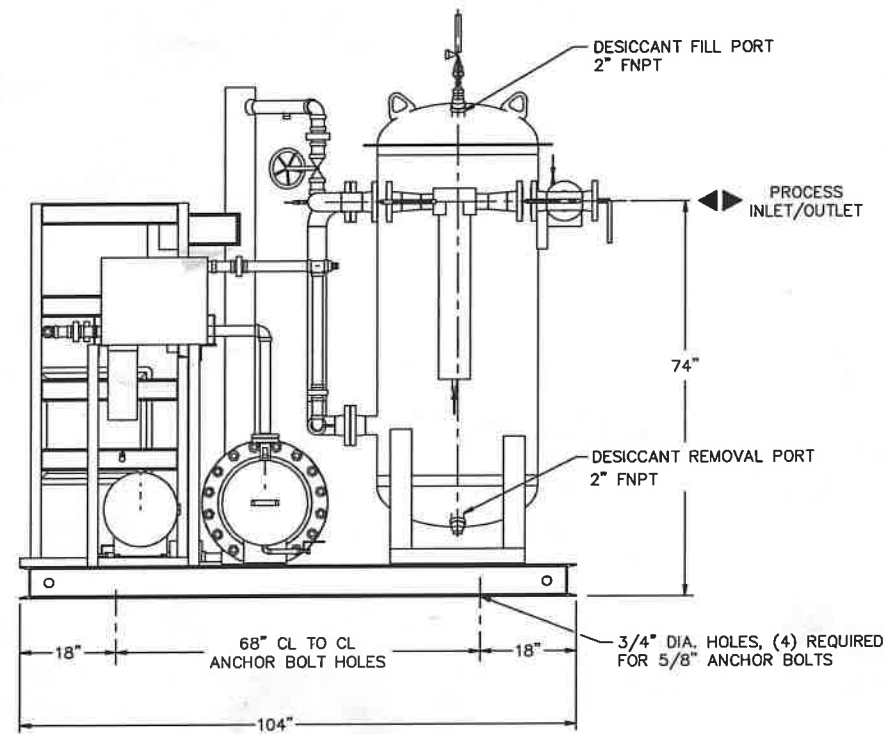


REVISIONS		
NO.	DESCRIPTION	DATE



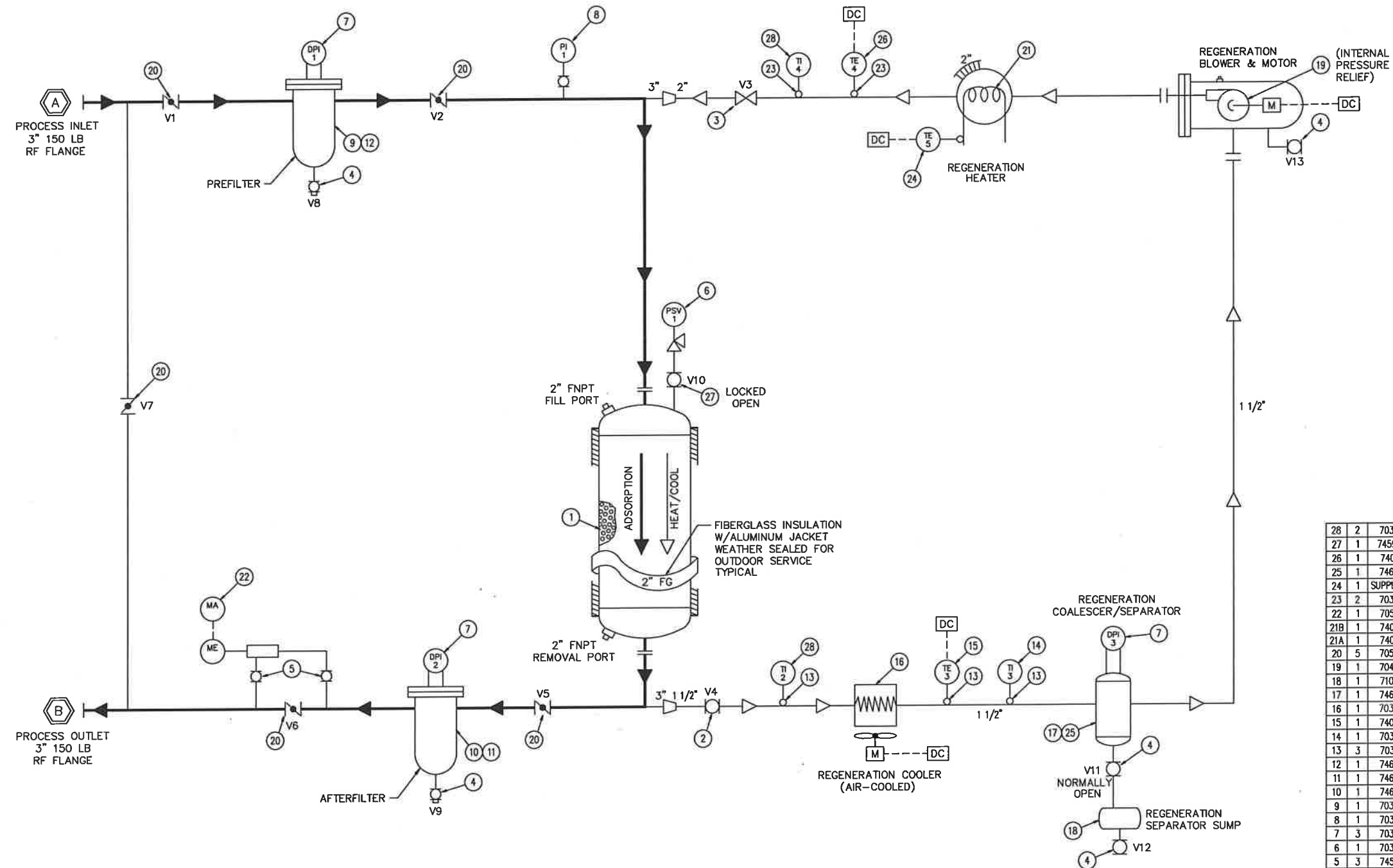
DRYER DATA

DESICCANT VESSEL: ASME U STAMPED 200 MWP @ -20° TO 400° F.
DESICCANT CHARGE: 1050 LBS.
WEIGHT: 5000 LBS. W/ DESICCANT INSTALLED.
ELECTRICAL FLA: 24.4 @ 460V 3PH 60HZ
47.7 @ 230V 3PH 60HZ
44.8 @ 208V 3PH 60HZ
AREA CLASSIFICATION: NEMA 4/7, CLASS 1, DIV. 2, GROUP D.
CLEARANCE: ALLOW 36" MINIMUM ON ALL SIDES FOR ACCESS, UNLESS OTHERWISE INDICATED.



PREPARED	E.VARISH	12/29/10	THIS PRINT IS LOANED FOR MUTUAL ASSISTANCE AND AS SUCH IS SUBJECT TO RECALL AT ANY TIME. INFORMATION CONTAINED HEREON IS NOT TO BE DISCLOSED TO OTHER PARTIES NOR REPRINTED IN ANY FORM WITHOUT OUR WRITTEN CONSENT. PROPERTY OF GENERAL AIR DIVISION, PSB INDUSTRIES, INC.
CHECKED	GHM	12/30/10	
APPROVED	TMM	12/30/10	
UNLESS OTHERWISE SPECIFIED DIMENSIONS ARE IN INCHES.			
TOLERANCE			
0" - 1" ± 1/16"			
1" - 2" ± 1/8"			
2" & UP ± 1/4"			
ANGLES ± 1/2°			
3 PLACE DECIMALS ± .005			
2 PLACE DECIMALS ± .010			
MODEL NG-SR-15-3-DDP		DRAWING NO.	
NATURAL GAS DRYER		NG1C1500F-G1	
SIZE	D	SCALE	NG1C1500F SHEET

REVISIONS			
LTR	DESCRIPTION	PREPARED	APPROVED
A	REVISED FILTERS, VALVES, PRESSURE GAUGE AND SEPARATOR.	E.VARISH 12/29/10	TMM 12/30/10



ITEM NO.	QTY	PART NO.	NAME	DESCRIPTION	
28	2	70328-049	TEMP. GAUGE	50/550° F., 4" STEM	
27	1	74597-1534	BALL VALVE	1 1/4 NPT W/LOCKING HANDLE	
26	1	74073-301	THERMOCOUPLE	TYPE J, 6" STEM	
25	1	74635-792	ELEMENT	COALESCING	
24	1	SUPPL'D W/HTR	THERMOCOUPLE	TYPE J, SHEATH	
23	2	70328-063	THERMOWELL	FOR 4" STEM, 304SS	
22	1	70524-185	DEWPOINT TRANSMITTER	W/PROBE	
21B	1	74001-XXX	HEATER	15 KW @ 230/3/60 150#	
21A	1	74001-475	HEATER	15 KW @ 480/3/60 150#	
20	5	70527-462	BUTTERFLY VALVE	3"	
19	1	70465-448	BLOWER	2 HP	
18	1	71034-329	SUMP TANK	200 LB	
17	1	74647-262	COALESCER/SEPARATOR		
16	1	70302-398	AFTERCOOLER	1/2 HP	
15	1	74073-302	THERMOCOUPLE	TYPE J, 8.5" STEM	
14	1	70328-347	TEMP. GAUGE	0/180° F., 4" STEM	
13	3	70328-170	THERMOWELL	FOR 4" STEM, SW, 304SS	
12	1	74635-325	FILTER ELEMENT	COALESCING	
11	1	74635-382	FILTER ELEMENT	PARTICULATE	
10	1	74647-276	AFTERFILTER	PARTICULATE	
9	1	70326-266	PRE-FILTER	COALESCING	
8	1	70326-740	PRESSURE GAUGE	0-200 PSI	
7	3	70326-734	DIFF. PRESS. GAUGE	0-15 PSID	
6	1	70398-624	RELIEF VALVE	200 PSIG SET PRESS.	
5	3	74597-069	BALL VALVE	1/4" NPT	
4	5	74597-013	BALL VALVE	1/2" NPT	
3	1	70384-382	GATE VALVE	2" NPT	
2	1	74597-1538	BALL VALVE	1 1/2" NPT w/ LOCKING HANDLE	
1	1	1050	RM459-006	MOLECULAR SIEVE	TYPE JA

PARTS LIST			
FIND QTY	REQUIS	PART NO.	NAME
1	1050	RM459-006	MOLECULAR SIEVE

DC - DRYER CONTROLS



PREPARED: E.VARISH 08/05/10
 CHECKED: TMM 08/05/10
 APPROVED: TMM 08/05/10

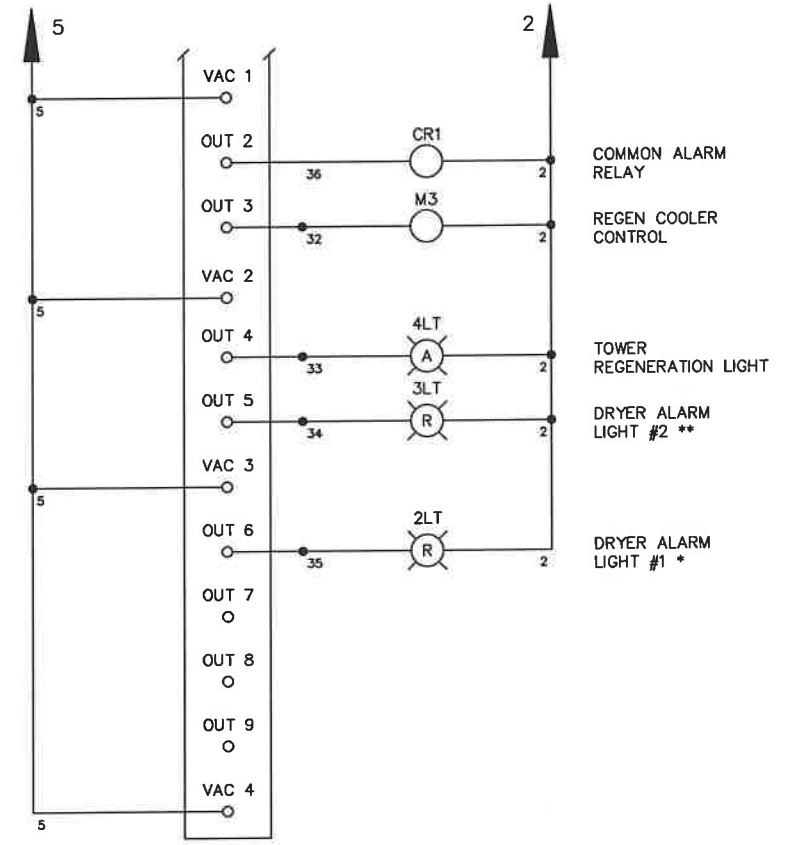
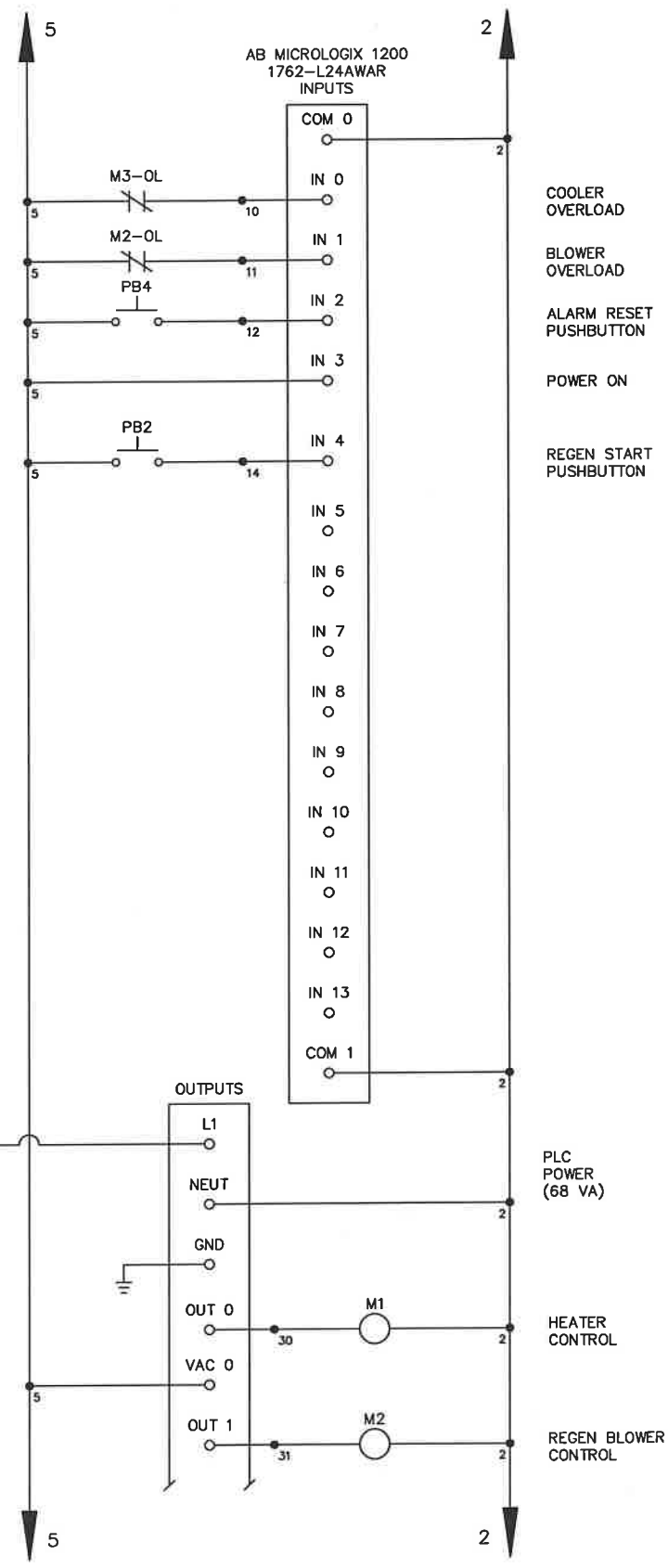
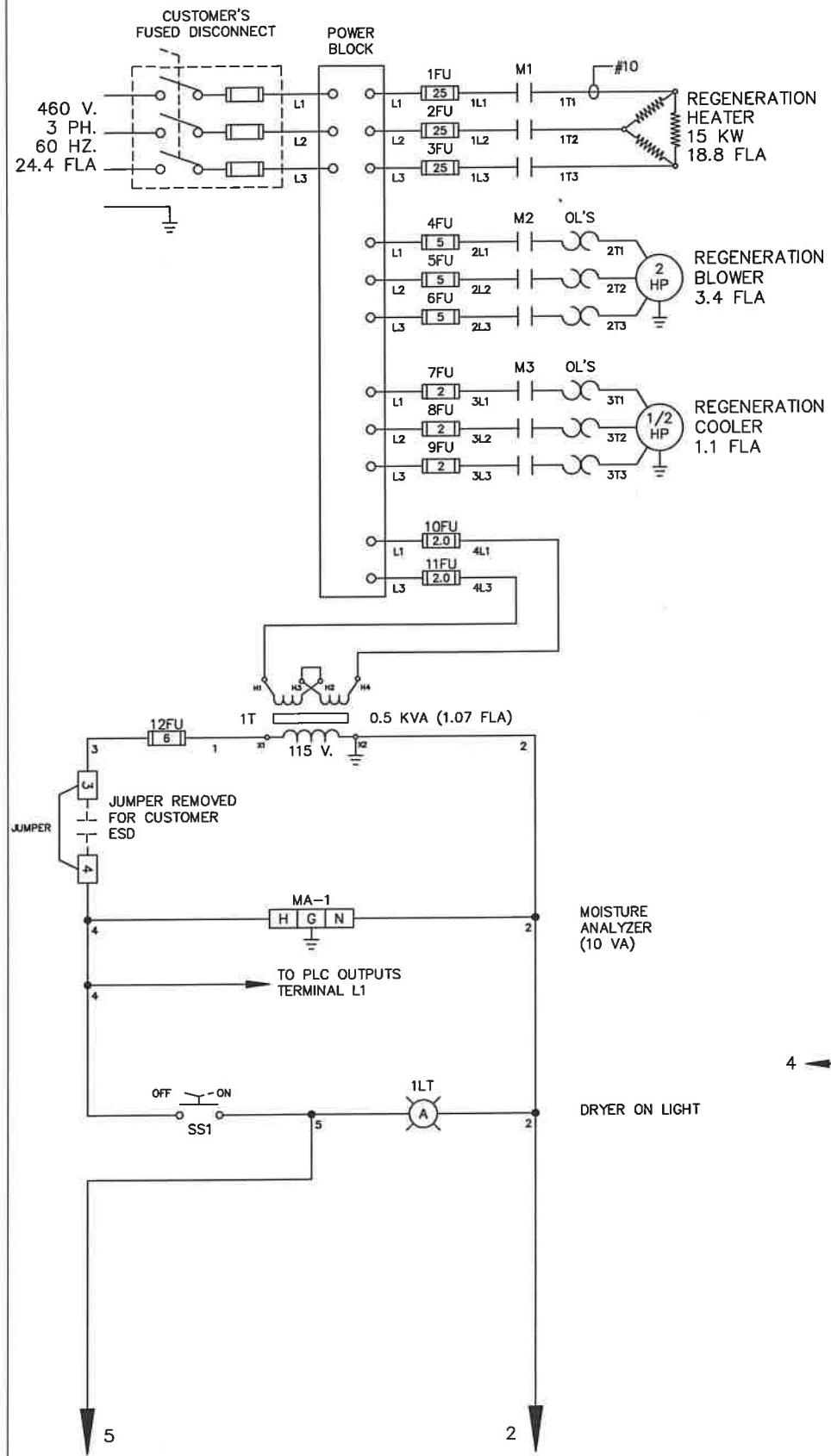
UNLESS OTHERWISE SPECIFIED DIMENSIONS ARE IN INCHES
 TOLERANCE
 0" - 12" ± 1/16"
 12" - 24" ± 1/8"
 24" & UP ± 1/4"
 ANGLES ± 1/2°

THIS PRINT IS LOANED FOR MUTUAL ASSISTANCE AND AS SUCH IS SUBJECT TO RECALL AT ANY TIME. INFORMATION CONTAINED HEREON IS NOT TO BE DISCLOSED TO OTHER PARTIES NOR REPRODUCED IN ANY FORM WITHOUT OUR WRITTEN CONSENT. PROPERTY OF GENERAL AIR DIVISION, PSB INDUSTRIES, INC.

PROCESS & INSTRUMENT DIAGRAM
 MODEL: NG-SR-15-3-DDP
 NATURAL GAS DRYER

SIZE: D SERIAL NO. DRAWING NO. NG1C1500F-P1
 SCALE: NG1C1500F SHEET

REVISIONS			
LTR	DESCRIPTION	PREPARED	APPROVED
A	UPDATED HEATER AND DISCONNECT ELECTRICAL REQUIREMENTS.	RAB 8/6/10	TMM 8/6/10
B	REVISED SWITCH (SS1 WAS PB1). UPDATED MOISTURE ANALYZER AND PROBE WIRING. ADDED PB1 SWITCH (SHEET 2).	RAB 12/30/10	TMM 12/30/10



* DRYER ALARM LIGHT #1(2LT)		** DRYER ALARM LIGHT #2(3LT)	
STEADY ON	HEATER OUTLET OVER TEMPERATURE HEATER SHEATH OVER TEMPERATURE	STEADY ON	BLOWER OVERLOAD
FLASHING	COOLER OUTLET OVER TEMPERATURE	FLASHING	COOLER OVERLOAD

USED ON UNITS
NG-SR-15-2
NG-SR-15-3

PSB
www.psbindustries.com
TREVISO, PA USA 814-453-3461

PREPARED: E. VARISH 3/25/10
CHECKED: BHM 3/26/10
APPROVED: TMM 3/26/10

UNLESS OTHERWISE SPECIFIED DIMENSIONS ARE IN INCHES.
DIM TOLERANCE
07" - 12" ± 1/16"
12" - 24" ± 1/8"
24" & UP ± 1/4"
ANGLES ± 2-1/2"
3 PLACE DECIMALS ± .000
2 PLACE DECIMALS ± .001

THIS PRINT IS LOANED FOR SERVICE ASSISTANCE AND AS SUCH IS SUBJECT TO RECALL AT ANY TIME. INFORMATION CONTAINED HEREON IS NOT TO BE DISCLOSED TO OTHER PARTIES NOR REPRODUCED IN ANY FORM WITHOUT OUR WRITTEN CONSENT. PROPERTY OF GENERAL AIR DIVERSAL, PSB INDUSTRIES, INC.

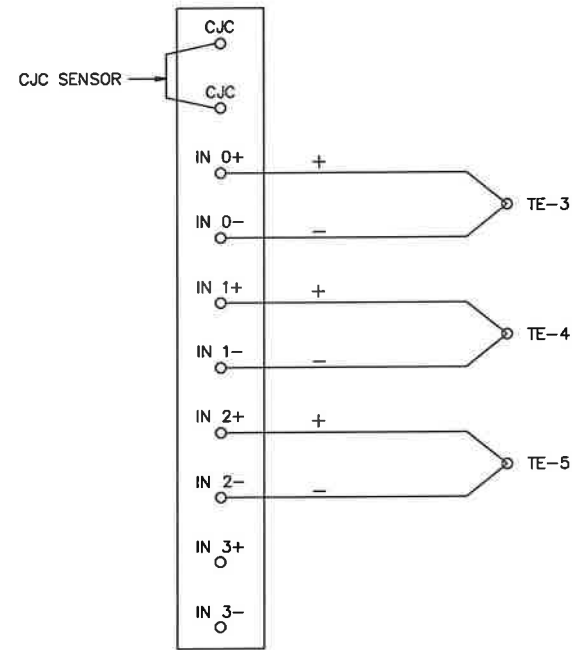
ELECTRICAL SCHEMATIC
MODEL: NATURAL GAS "SR-15" DRYER

SIZE: SERIAL NO. DRAWING NO. NG1C1500-040
SCALE: NG1C1500E SHEET 1 of 2

REVISIONS			
LTR	DESCRIPTION	PREPARED	APPROVED
B	SEE SHEET 1 OF 2.		

TEMPERATURE SWITCH INPUTS

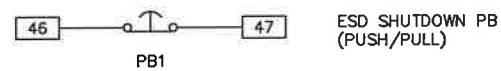
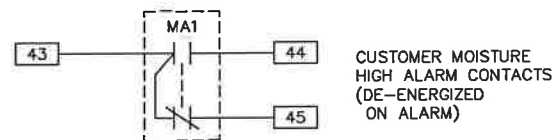
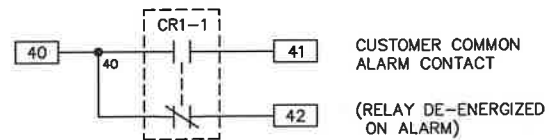
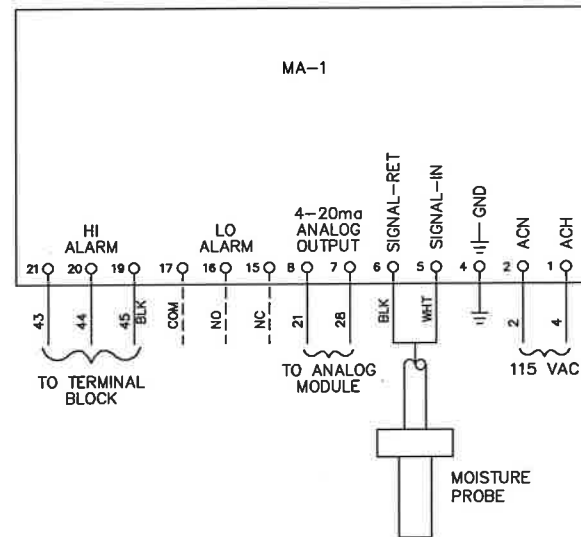
TYPE 'J' THERMOCOUPLE
(-) RED; (+) WHITE



NOTES: GROUND THERMOCOUPLES AT MODULE
END ONLY.

DO NOT REMOVE CJC SENSOR.

MOISTURE ANALYZER & PROBE WIRING



USED ON UNITS
NG-SR-15-2
NG-SR-15-3



PREPARED	E.VARISH	3/25/10	THIS PRINT IS LOANED FOR MUTUAL ASSISTANCE AND AS SUCH IS SUBJECT TO RECALL AT ANY TIME. INFORMATION CONTAINED HEREON IS NOT TO BE DISCLOSED TO OTHER PARTIES NOR REPRODUCED IN ANY FORM WITHOUT OUR WRITTEN CONSENT. PROPERTY OF GENERAL AIR DESIGN, PSB INDUSTRIES, INC.
CHECKED	BHM	3/26/10	
APPROVED	TMM	3/26/10	
UNLESS OTHERWISE SPECIFIED DIMENSIONS ARE IN INCHES			
DWG.	1"	TOLERANCE	
12"	± 1/16"		
24"	± 1/8"		
ANGLES	± 2-1/2°		
3 PLACE DECIMALS	± .005		
2 PLACE DECIMALS	± .010		
ELECTRICAL SCHEMATIC		MODEL: NATURAL GAS "SR-15" DRYER	
SIZE	D	SERIAL NO.	DRAWING NO.
			NG1C1500-040
SCALE		NG1C1500E	SHEET 2 of 2