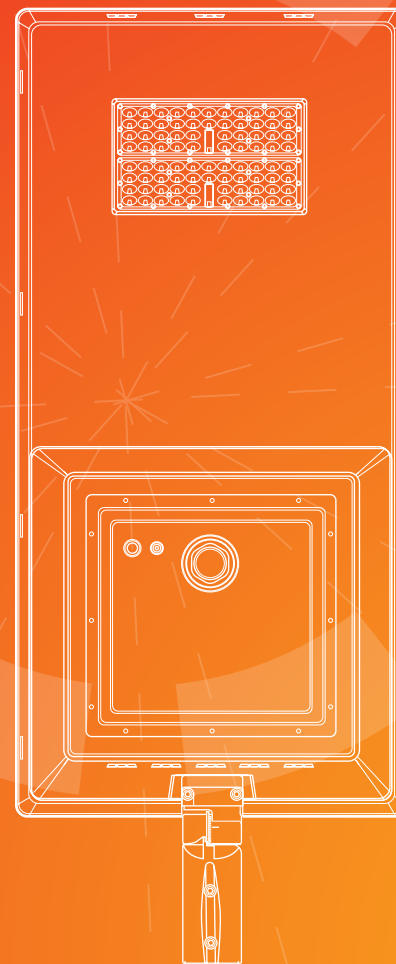




**AN ECONOMICAL,
EASILY INSTALLED,
SOLAR AREA LIGHT**



HYPER Solar Area Lights **25W** **45W** **65W**

HYPER solar area light is designed for commercial areas, with 5,000, 9,000 and 13,000 lumen outputs. HYPER 25W, 45W and 65W provide superior quality light over a greater area. It features an integrated solar array, battery, and LED fixture with simple mounting for fast and easy installation. HYPER solar fixture eliminates trenching, cabling, and electricity costs.



"WE EMPOWER WATT MATTERS"

For more information, please visit our website:
www.soltechlighting.com



APPLICATIONS

25W 45W 65W **HYPER Solar Area Light**

HYPER is an economical, easily-installed, solar lighting solution for areas such as pathways, parking lots, landscaping, parks, schools, trails, or any remote locations.

FEATURES



50+ Hours Max Autonomy

- Up to 998 WH battery capacity
- Full self-charging time is less than 6 hrs
- One-key smart programming



High Brightness, Smart Power Consumption

- 200lm/W—The highest efficiency in the industry
- Built-in MPPT controller with microwave motion sensor



Complete Universality

- Designed for round pole, square pole and wall pack applications
- Easy installation and operation



Greater Energy Production

- Up to 112W Mono Crystalline Solar Panel
- Adjustable angle for the fixture head allows maximum solar collection and self-cleaning of the solar panel surface



Low Maintenance Design

- All-in-one design
- Die cast A380 aluminum fixture housing is rust-free
- 10+ year warranty options for municipal utility projects

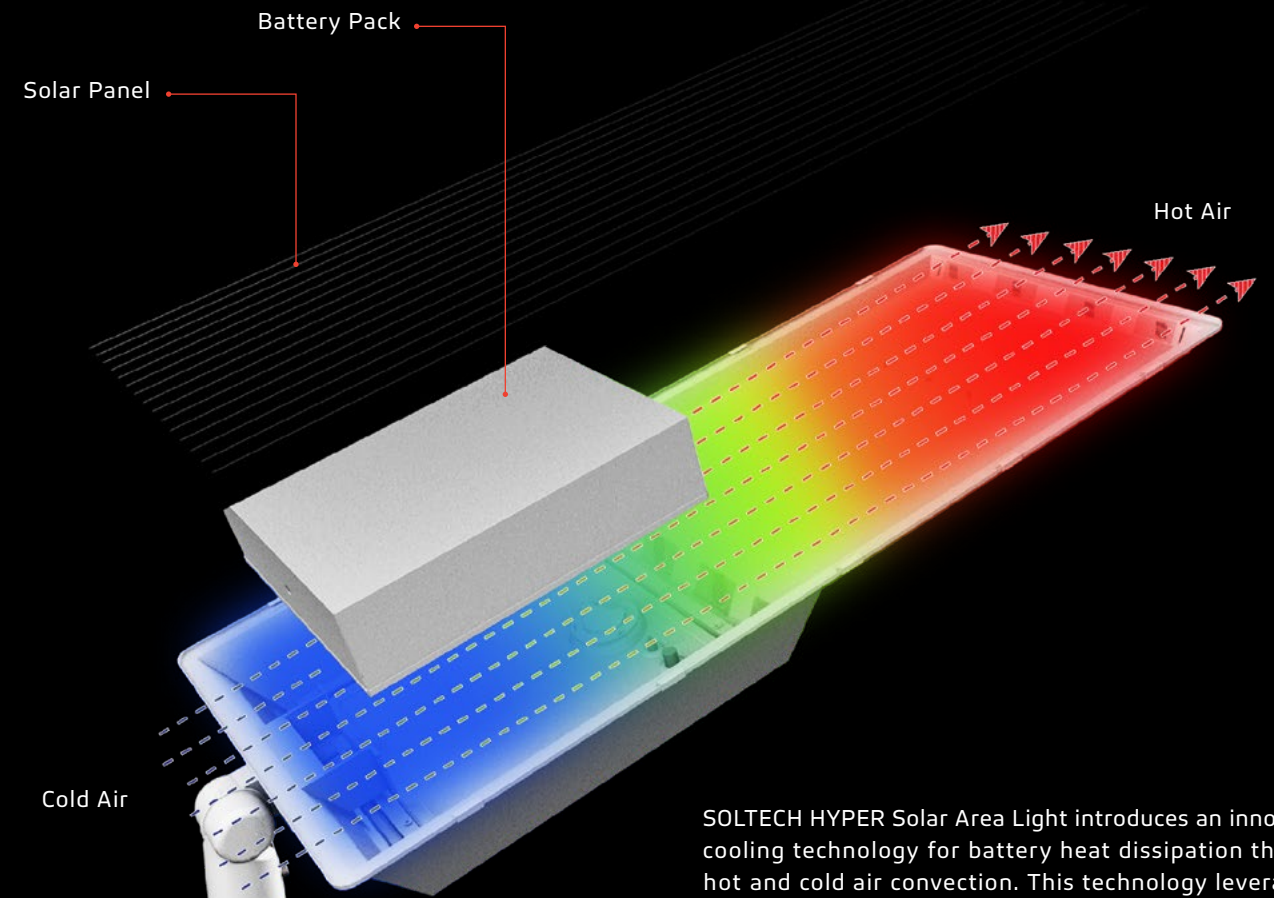


Longer Life

- Grade A Superior Battery Pack, 2000+ full charging cycles



BATTERY PASSIVE COOLING TECHNOLOGY



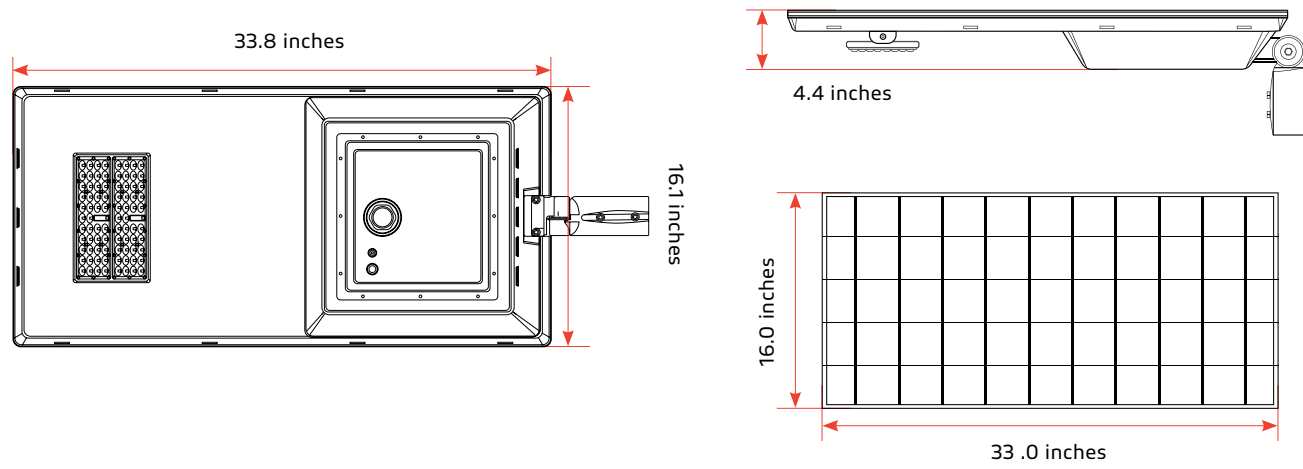
SOLTECH HYPER Solar Area Light introduces an innovative cooling technology for battery heat dissipation through hot and cold air convection. This technology leverages the principle of air convection, where hot air is expelled upwards through the lamp's top ventilation holes while cooler air is simultaneously drawn in through intake holes at the bottom. Compared to similar products on the market, this innovation significantly extends the battery life of the SOLTECH HYPER solar area light, especially in harsh environmental conditions.

MPPT Controller

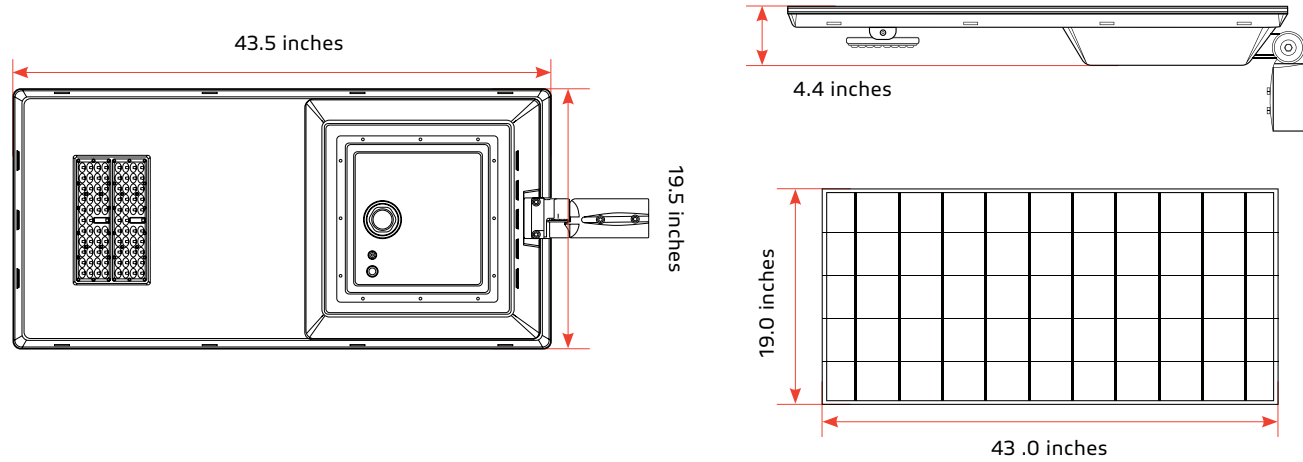
- Maximum Power Point Tracking (MPPT) is a technique for tracking and regulating the output energy from the solar panel to the battery.
- Measures the solar panel output voltage and current in real-time and continuously tracks the maximum power.
- Regulates the output voltage so that the system can always charge the battery with the maximum power.
- Significantly improves the solar system energy utilization rate, with a conversion efficiency up to 97%.
- Increases the solar system's charging efficiency by at least 20% compared to Pulse Width Modulation (PWM).

DIMENSIONAL DRAWINGS

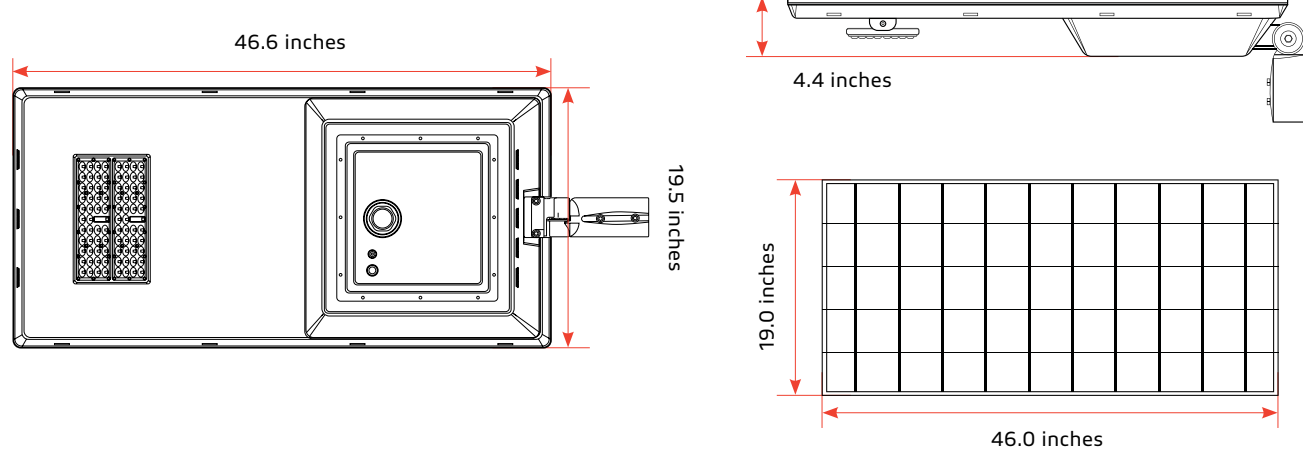
HYPER 25W



HYPER 45W



HYPER 65W



SPECIFICATIONS & PERFORMANCE

25W / 45W / 65W HYPER Solar Area Light

HYPER solar area light is an economical, easily-installed, grid-Interactive solar lighting solution for areas such as pathways, parking lots, landscaping, parks, schools, trails, or any remote locations.

SPECIFICATIONS	HYPER 25W	HYPER 45W	HYPER 65W
LED NOMINAL POWER	25	45	65
SOLAR PANEL	60W	94W	112W
LIFEPO ₄ BATTERY	12.8V 27AH 345.6WH	12.8V 52AH 665WH	19.2V 52AH 998WH
LUMEN OUTPUT@5000K	5,000	9,000	13,000
IP RATING	IP65	IP65	IP65
WEIGHT	35 Lbs	55 Lbs	63 Lbs
EPA	4.6	7.1	7.6
CASTING	ALUMINUM	ALUMINUM	ALUMINUM
EFFICIENCY@5000K	200 LM/W	200 LM/W	200 LM/W
*CHARGING TIME	5-6 Hrs	5-6 Hrs	5-6 Hrs
RUN TIME (@FULL POWER)	13 Hrs	13 Hrs	13 Hrs
OPERATION MODE	REMOTE CONTROL AND ONE-KEY SETTING	REMOTE CONTROL AND ONE-KEY SETTING	REMOTE CONTROL AND ONE-KEY SETTING
INSTALLATION HEIGHT	15 to 25 ft	15 to 25 ft	15 to 25 ft
*OPERATING TEMPERATURE	0°C/32°F to 140°F	0°C/32°F to 140°F	0°C/32°F to 140°F
*CHARGING TEMPERATURE	0°C/32°F to 140°F	0°C/32°F to 140°F	0°C/32°F to 140°F

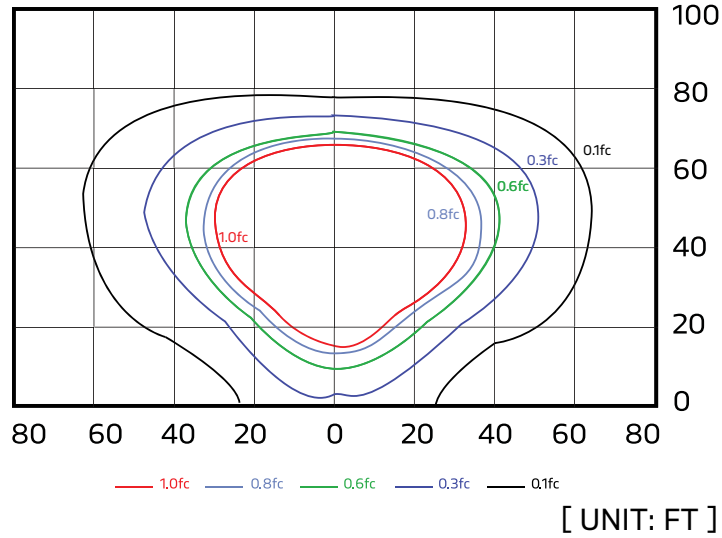
* The temperature can impact the battery's charging and normal operation. If your site's temperature is under 32°F, we advise you to use the PRO model products to achieve better lighting results.
 * The solar charge time data is based on 77 degree F ambient temperature with the panel pointed directly at the solar radiation. The standard radiation value is 1000W/m².

PHOTOMETRY

HYPER 25W

TYPE III

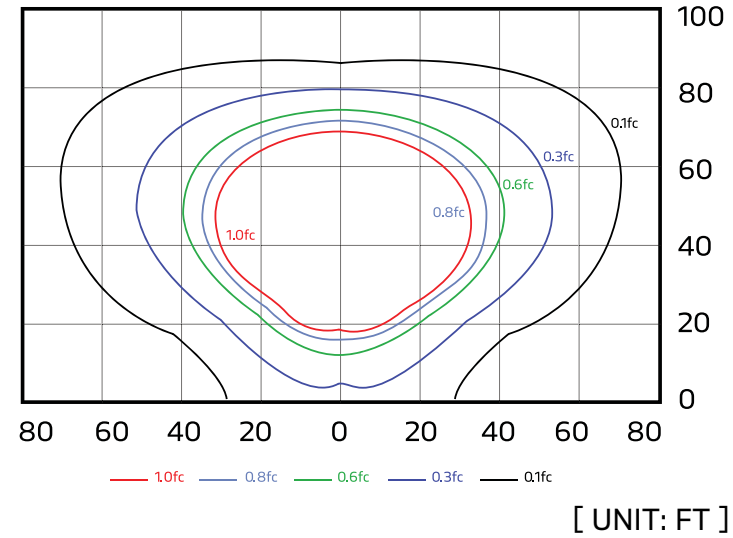
[MOUNTING HETGHT 20FT]



HYPER 45W

TYPE III

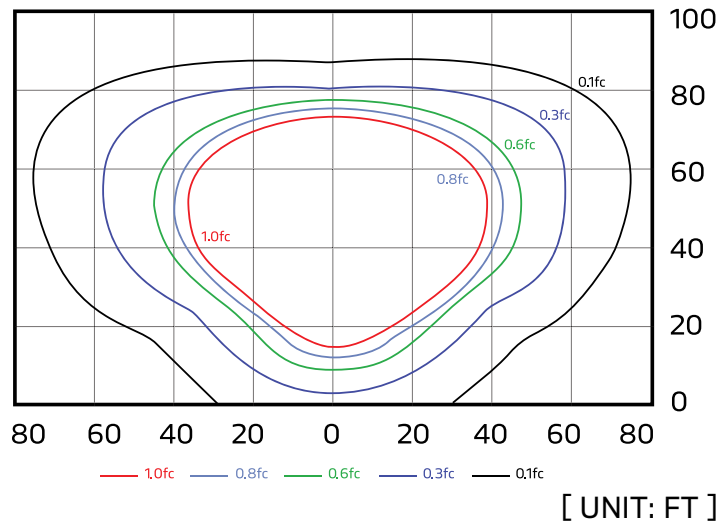
[MOUNTING HETGHT 20FT]



HYPER 65W

TYPE III

[MOUNTING HETGHT 20FT]



PRODUCT NUMBER BUILDER

Example: **STLHYP45T3SFGY**

This example product number is for HYPER 45 watt, T3, 3,000K CCT, Slip Fitter Installation, with a gray finish.

SERIES	WATTAGE	OPTIC TYPE	COLOR TEMPERATURE	MOUNTING OPTIONS	FINISH
STLHYP=HYPER	25=25W 5,000 LUMENS	T3=TYPE III	3=3000K	WM=WALL MOUNT TR=TRUNNION SF=SLIP FITTER	GY=GRAY (RAL 7038)
	45=45W 9,000 LUMENS		4=4000K		BR=BRONZE (RAL 8019)
	65=65W 13,000 LUMENS		5=5000K 6=5700K		BK=BLACK (RAL 9004)

- - - - -

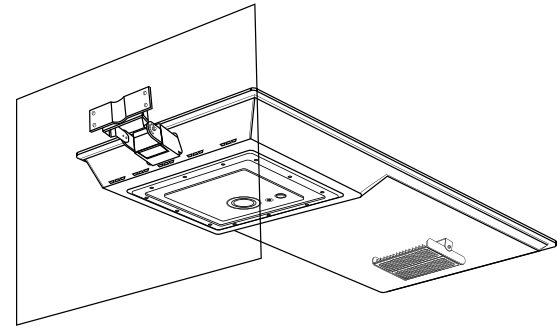
Sample Number: **STLHYP45T3XXYYZZ**

Please **DO NOT** send the generic sample number directly to our salesperson. Use the information in the chart, above, to create a model number with the correct series, wattage, CCT, mounting options, and finish for the product options that you want.

MOUNTING ACCESSORIES (HYPER 25W 45W 65W)

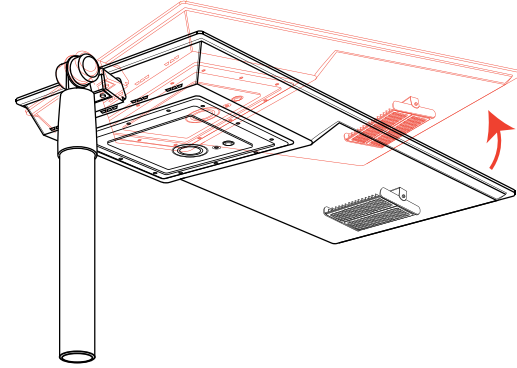


A. TRUNNION—Wall Mount

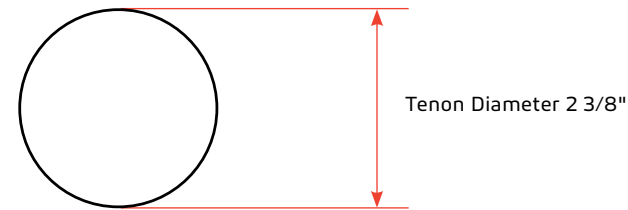


A-a. STLHYB-WM

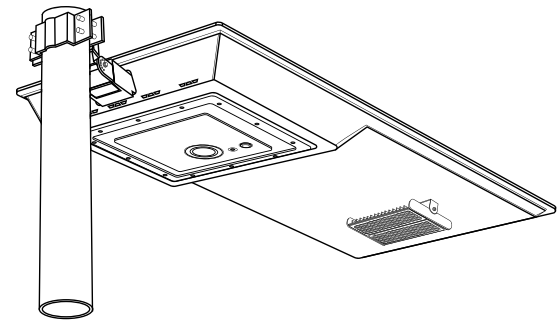
B. SLIP FITTER



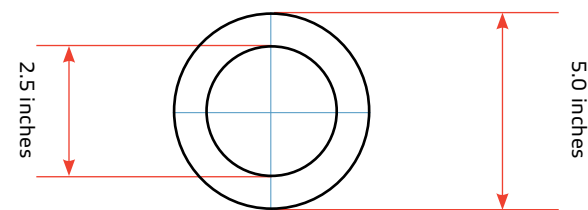
B-b. STLHYB-SF



C. TRUNNION—Round

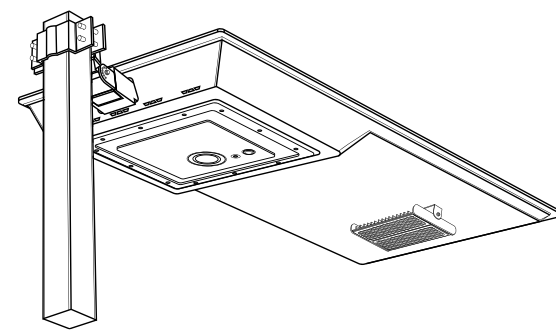


Round Pole Diameter

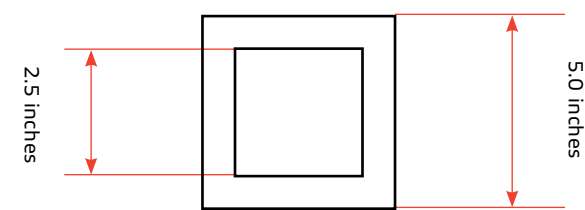


C-c. STLHYB-TRR

D. TRUNNION—Square



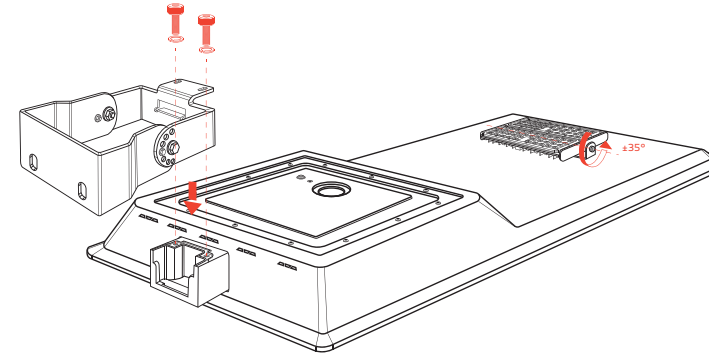
Square Pole Dimension



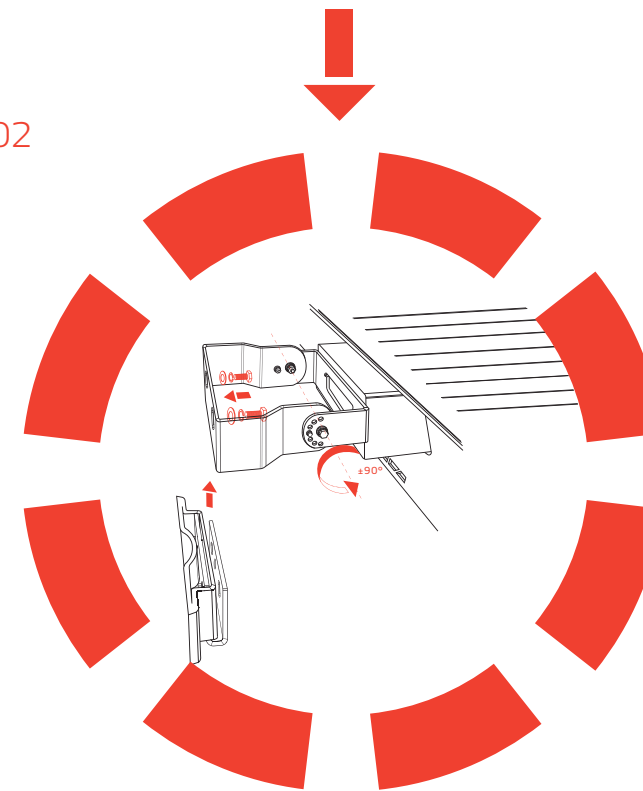
D-d. STLHYB-TRS

Trunnion Mount

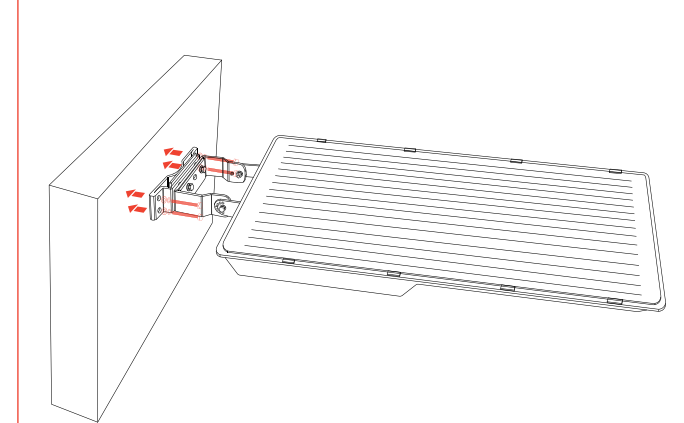
01



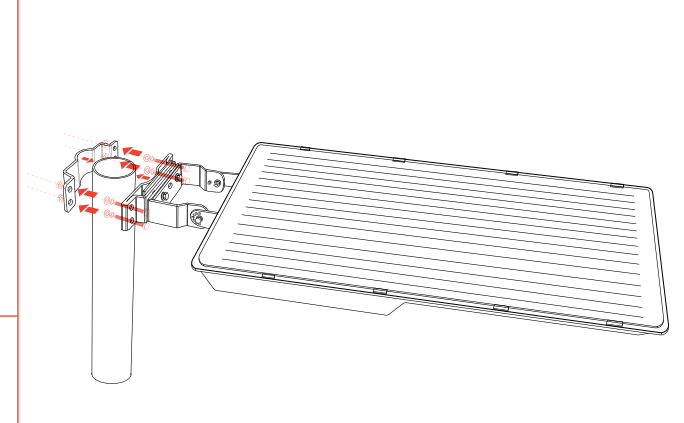
02



A. On Wall



B. On Round Pole



C. On Square Pole

