



OCEANBOTICS™

15375 Barranca Pkwy, Suite I-112, Irvine, CA 92618 USA Tel (949) 656-8038 x38

Date: 05/07/2025

Subject: Sole Source Products

Dear Sir or Madam,

This letter is to confirm that the Oceanbotics Inc SRV-8 ROV and SRV-8X ROV systems, along with their Parts, Accessories, and SubNav OS Software, are sole source products exclusively manufactured, sold, and distributed by Oceanbotics Inc, a division of RJE International. No other company manufactures or offers similar or competing products. All accessories sold by Oceanbotics Inc are specifically designed to work seamlessly with our ROVs and SubNav OS software. These products must be purchased directly by institutions from Oceanbotics Inc or our In-Country Distributor(s).

Oceanbotics Patent Number: D922301

There are no equivalent items or products available for purchase that would serve the same purpose or function as the SRV-8, SRV-8X, or their compatible accessories, and there is only one price for these items due to exclusive distribution rights. If you require additional information, please do not hesitate to contact me at (559) 273-5455 or visit our website at www.oceanbotics.com.

We appreciate the opportunity to partner with your agency.

Respectfully,

Waylon Price

Waylon Price

Sales Manager
Oceanbotics



US00D922301S

(12) **United States Design Patent**
Engle

(10) **Patent No.:** **US D922,301 S**

(45) **Date of Patent:** **** Jun. 15, 2021**

- (54) **UNDERWATER ROBOTIC VEHICLE**
- (71) Applicant: **RJE Ocean Robotics LLC**, Irvine, CA (US)
- (72) Inventor: **Ryan Engle**, San Diego, CA (US)
- (73) Assignee: **RJE Oceanbotics LLC**, Irvine, CA (US)
- (**) Term: **15 Years**

2015/0136012	A1 *	5/2015	Williams	B25J 9/08 114/312
2015/0225049	A1 *	8/2015	Fairfield	B63G 8/001 89/1.13
2016/0114887	A1 *	4/2016	Zhou	H04N 5/265 348/148
2016/0229503	A1 *	8/2016	Sheard	B63G 8/22
2017/0088242	A1 *	3/2017	Oledzki	B63G 8/001
2018/0203449	A1 *	7/2018	Tavares	B64D 47/08
2018/0251199	A1 *	9/2018	Radford	B25J 9/0087
2018/0312023	A1 *	11/2018	Braithwaite	B29C 64/209
2019/0011335	A1 *	1/2019	Tavares	G01N 1/12
2019/0351985	A1 *	11/2019	Adamson	G06F 3/0346
2020/0398958	A1 *	12/2020	Gao	B63C 11/52

(21) Appl. No.: **29/640,317**

* cited by examiner

(22) Filed: **Mar. 13, 2018**

Primary Examiner — Cynthia M. Chin

(51) **LOC (13) Cl.** **12-06**

(74) *Attorney, Agent, or Firm* — BakerHostetler

(52) **U.S. Cl.**
USPC **D12/308**

(58) **Field of Classification Search**
USPC D12/308; D21/545
CPC B63G 8/00; B63G 8/001; B63G 8/002;
B63G 8/004; B63G 8/005; B63G 8/41;
B63G 8/42; B63B 3/13; G03B 17/08
See application file for complete search history.

(57) **CLAIM**

I claim the ornamental design for an underwater robotic vehicle, as shown and described.

DESCRIPTION

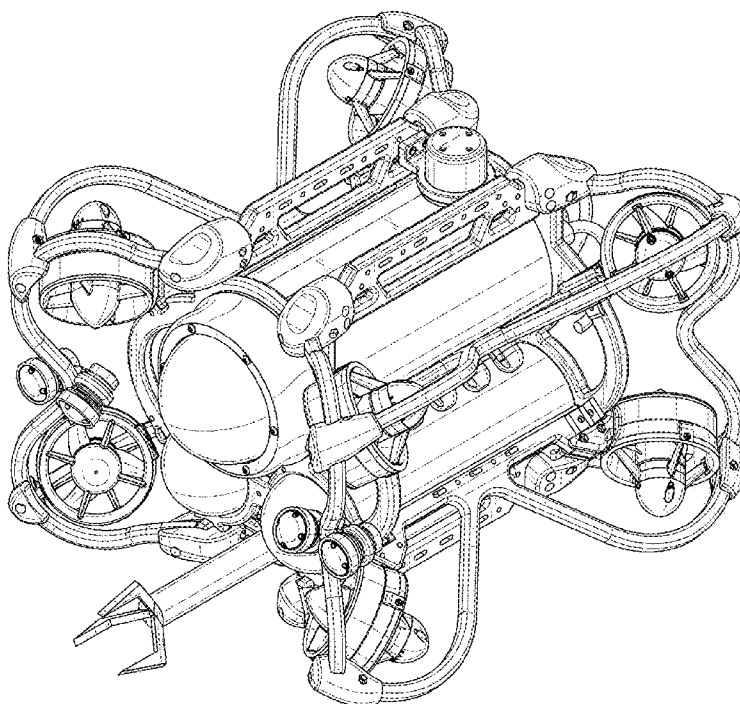
FIG. 1 is a perspective view of an underwater robotic vehicle showing my new design of the present invention; FIG. 2 is a front view thereof; FIG. 3 is a rear view thereof; FIG. 4 is a left side view thereof; FIG. 5 is a right side view thereof; FIG. 6 is a top plan view thereof; and, FIG. 7 is bottom plan view thereof. The broken lines are for the purpose of illustrating portions of the underwater robotic vehicle that form no part of the claim.

(56) **References Cited**

U.S. PATENT DOCUMENTS

D306,425	S *	3/1990	Walker	D12/308
5,097,780	A *	3/1992	Winchester	B63C 11/52 114/330
5,995,882	A *	11/1999	Patterson	B63C 11/42 114/312
D865,633	S *	11/2019	Chen	D12/308
2013/0269585	A1 *	10/2013	Kim	B63G 8/08 114/331

1 Claim, 7 Drawing Sheets



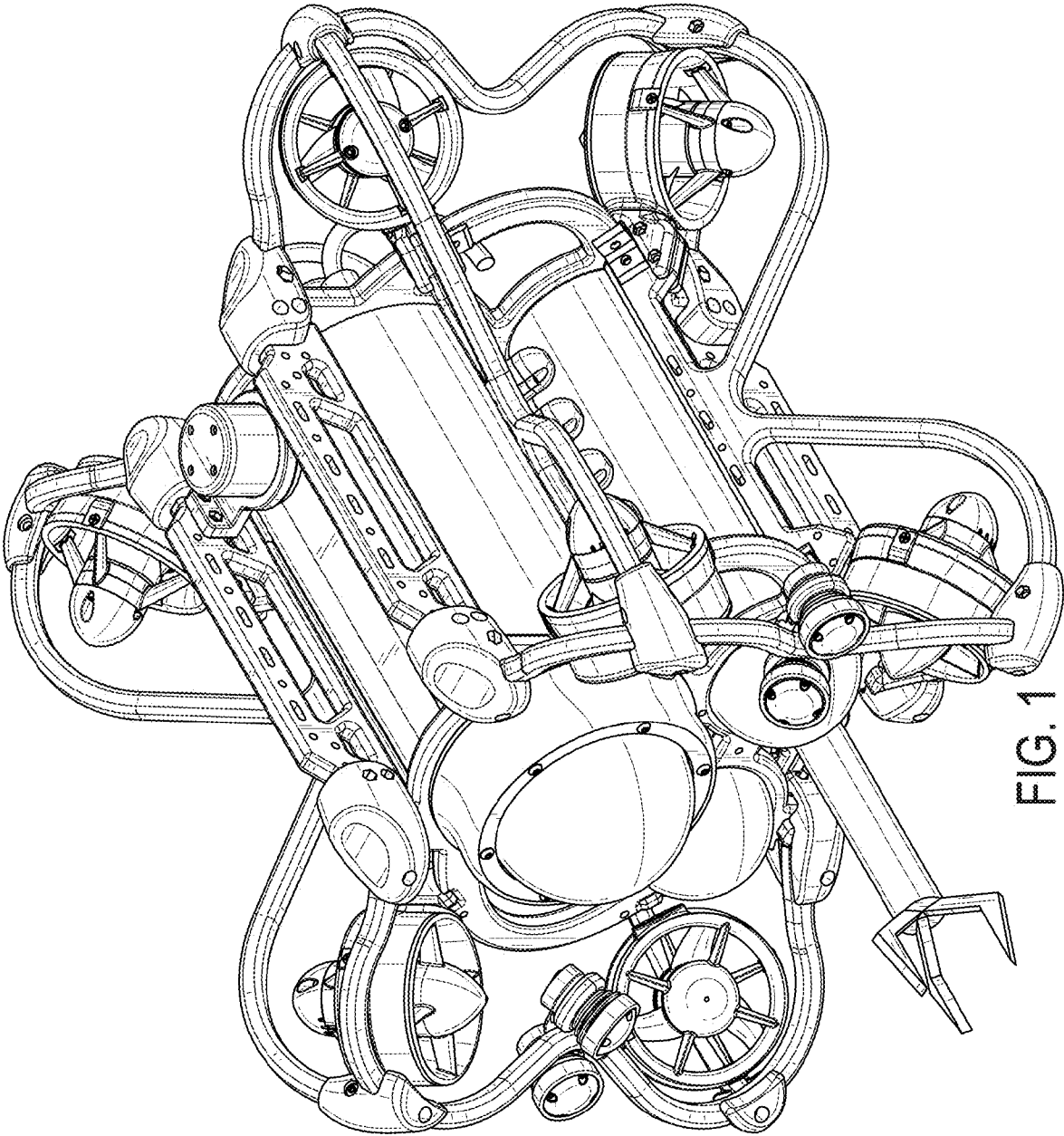


FIG. 1

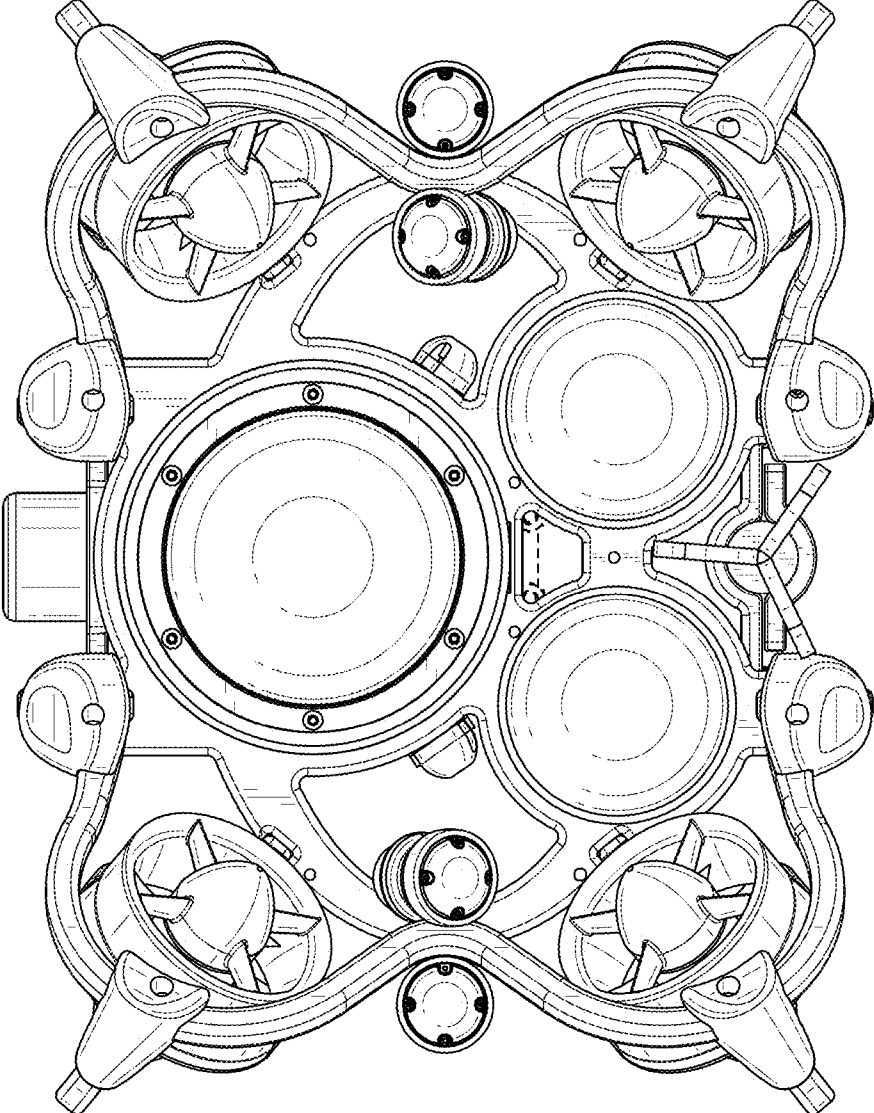


FIG. 2

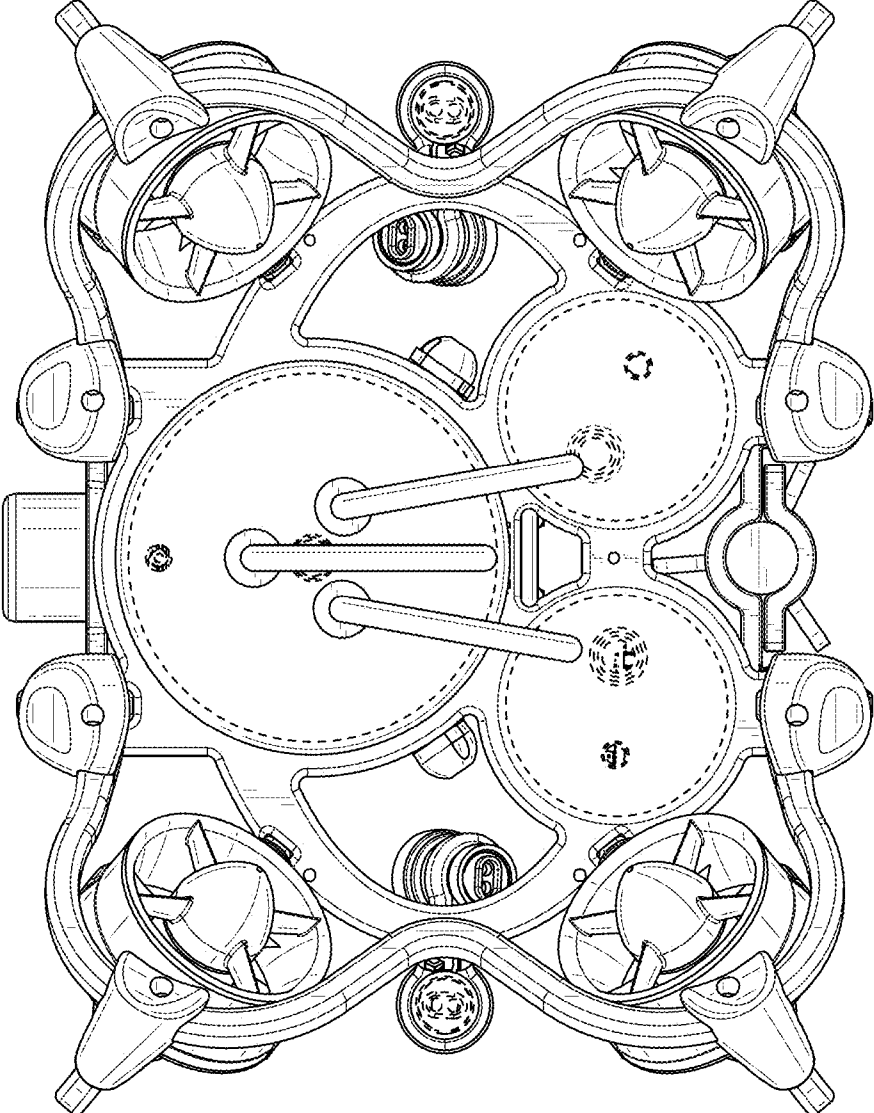


FIG. 3

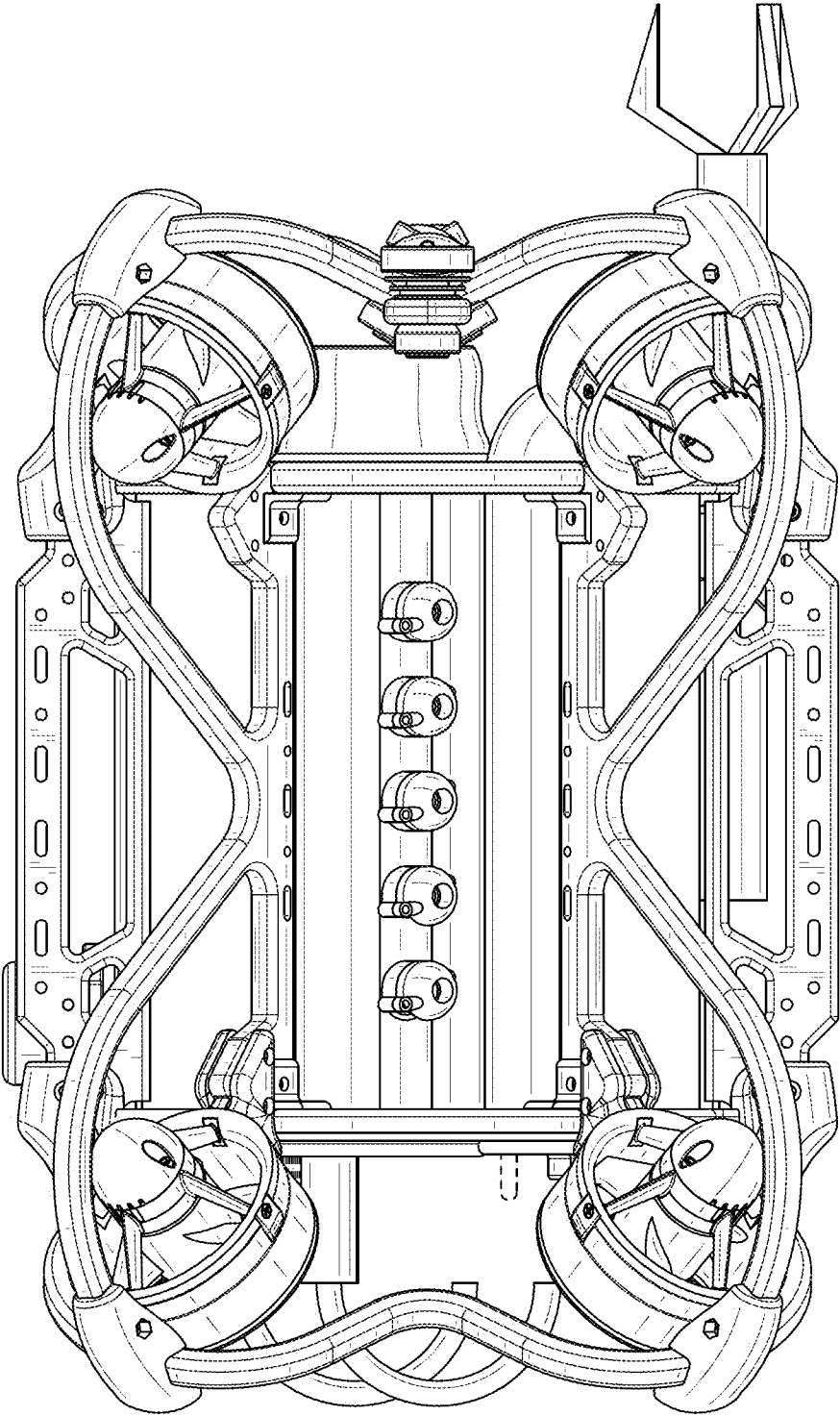


FIG. 4

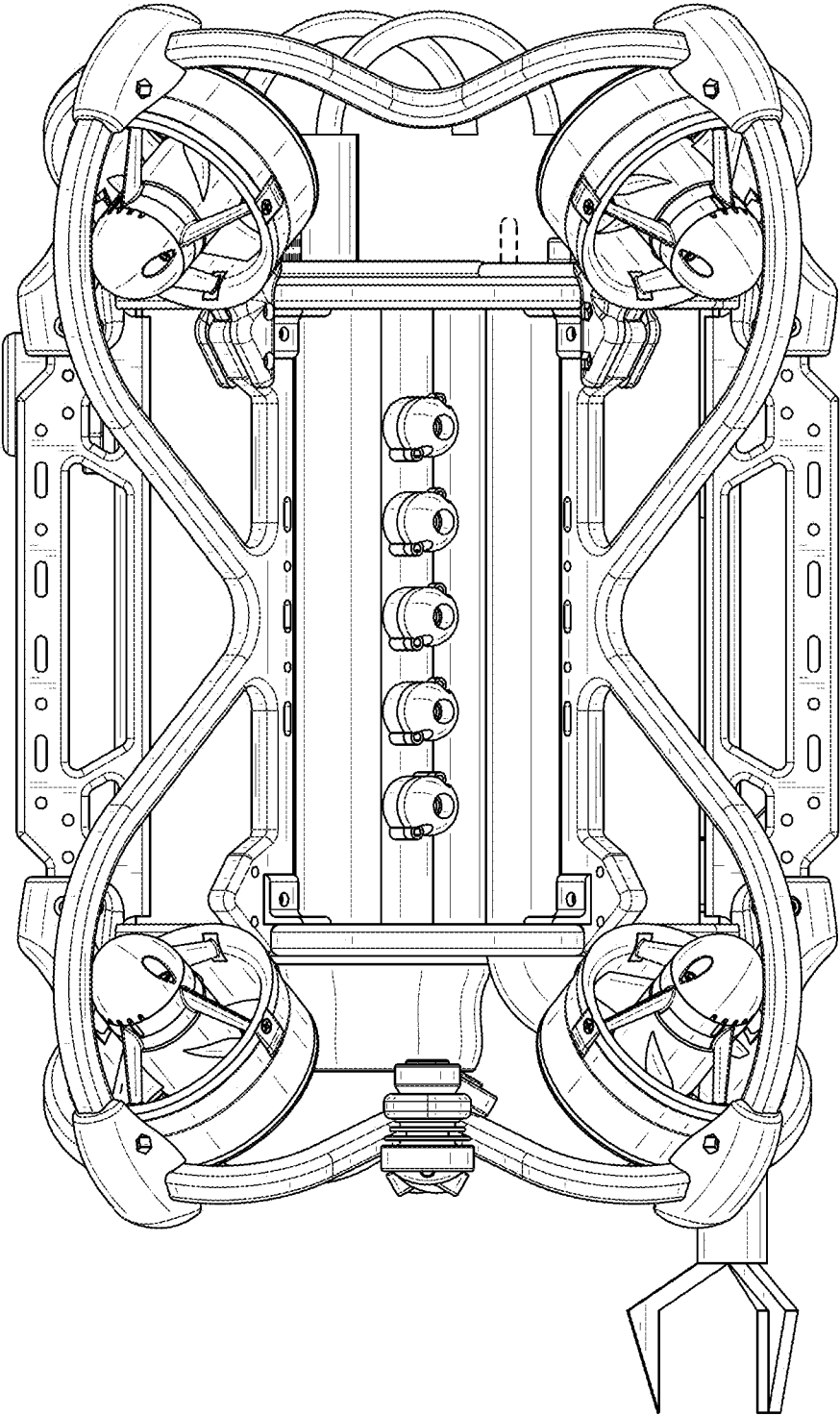


FIG. 5

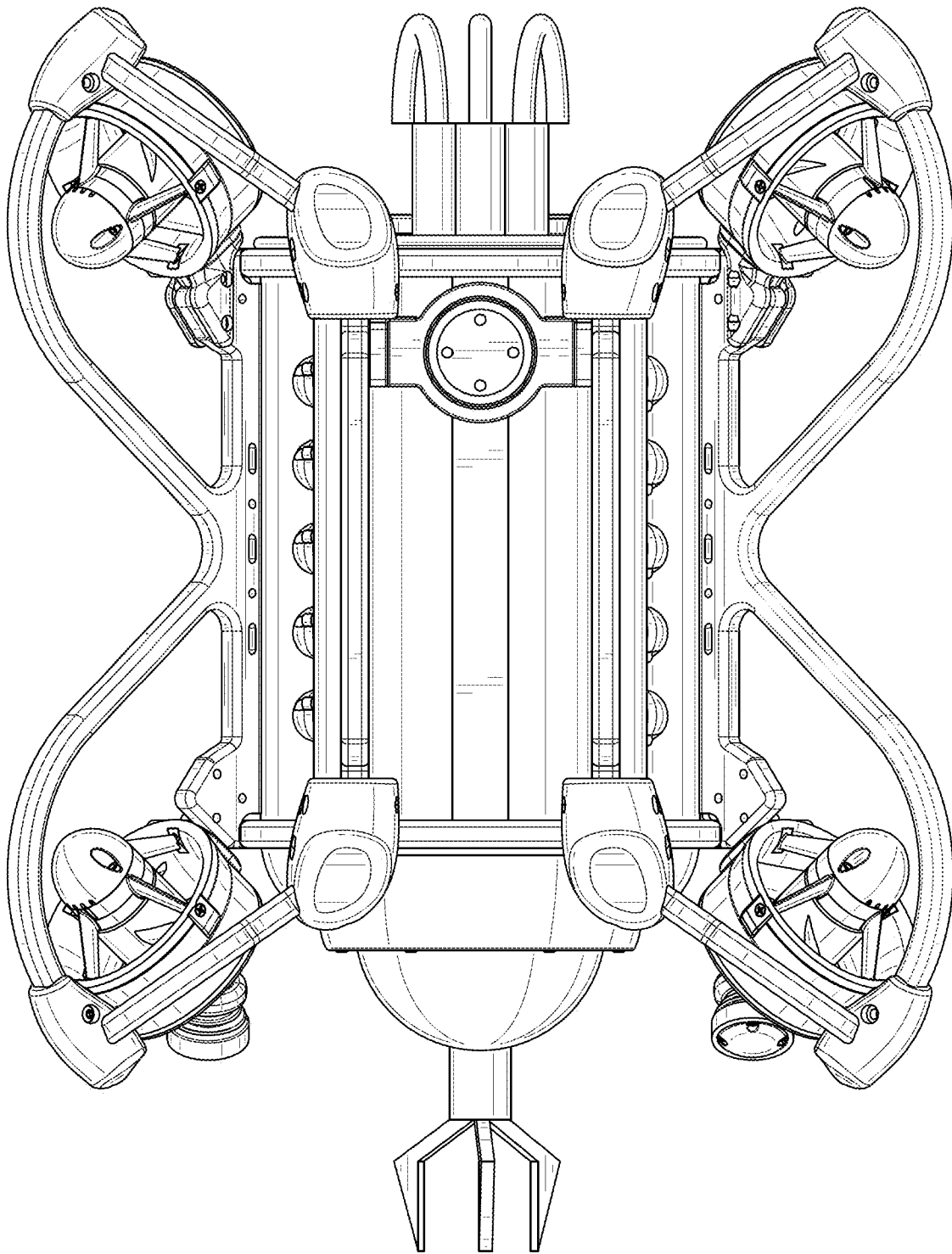


FIG. 6

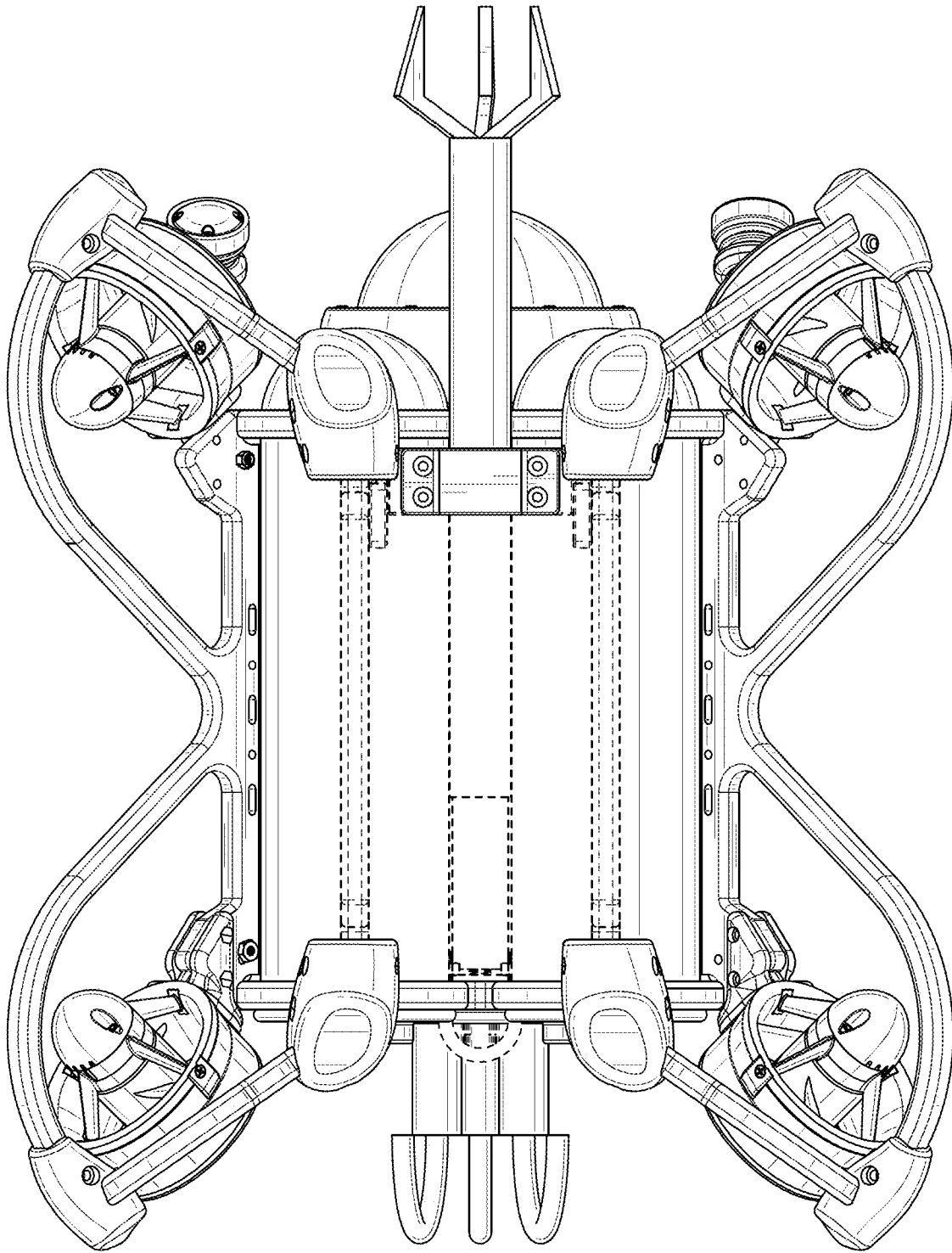


FIG. 7